



# PANORAMIC P35.11EE4



**MERLO**

## PERFORMANCE AND FEATURES

P35.11EE4

### PERFORMANCE

Total unladen weight (lb)	19842		
Maximum capacity (lb)	7700		
Lifting height (ft)	36' 0"		
Maximum reach (ft)	25' 6"		
Maximum operating height (ft)	31' 5"		
Maximum operating reach (ft)	5' 9"		
Capacity at maximum height (lb)	6000		
Capacity at maximum reach (lb)	2200		
Lateral boom movement (inch)	± 12.2		
Tilting correction (%)	± 8		
Boom sections	3		

### POWERTRAIN

Turbo motor	KOHLER 2504 TCR		
Displacement/cylinders	2500/4		
Engine Power (kW/HP)	55,4/75,1		
Anti-pollution technology	TIER 4, DOC		
Reversible fan	●		
Maximum speed (mph)	20.5		
Fuel tank (gal)	37		
AdBlue tank (gal)	-		
Hydrostatic transmission	● - 2V		
EPD	●		
Auto-revving joystick	●		
Axles - Reducers	Drop portal - RR700		
Machine brakes	Dry discs		
Automatic parking brake	●		

### HYDRAULIC

Hydraulic pump	LS + FS		
Flow rate/pressure (gal/min – psi)	30,9 - 3626		
Hydraulic tank (gal)	26.4		
Hydraulic outlet at the top of the boom	●		
Rear hydraulic outlets	-		

### CAB

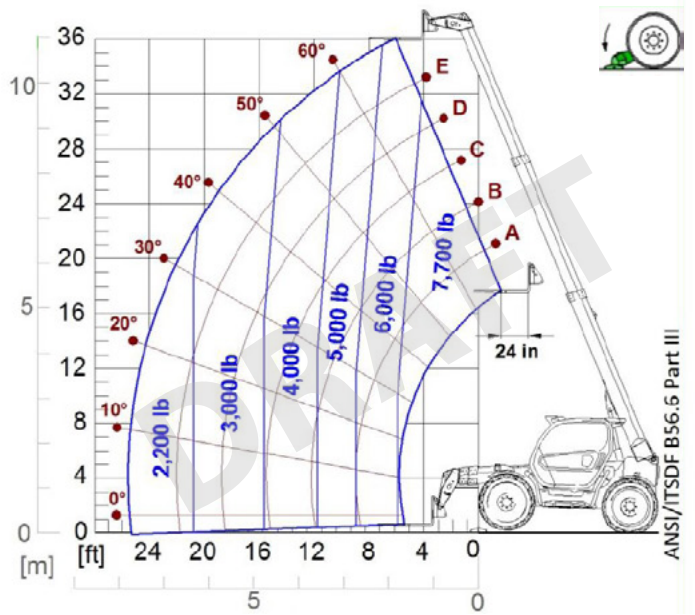
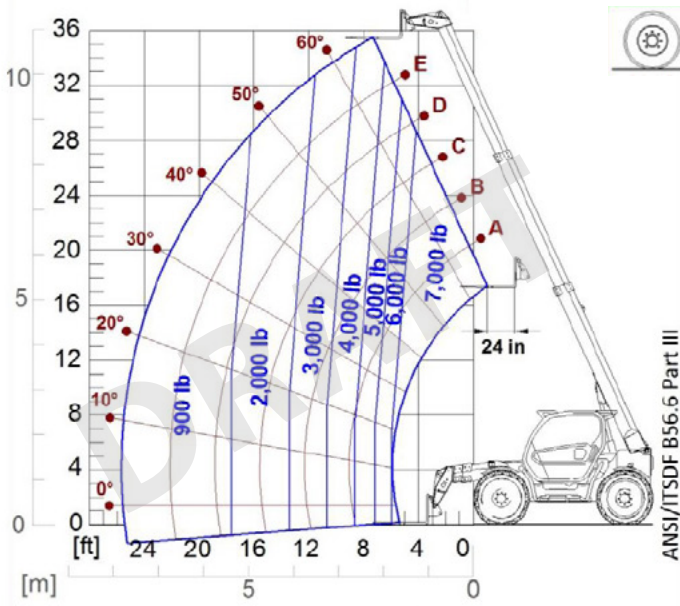
Cab configuration	ECO		
ASCS Adaptive Stability Control System	Light		
FOPS LIV II cab	●		
ROPS cab	●		
Cab commands	Electronic joystick		
Tilting Cab	-		
Reverse shuttle	Dual reverse		

### CONFIGURATION

Cab suspension	-		
Boom suspension	○		
Suspension on axles	-		
Work headlights on cab	○		
Sun blind	○		
Tac-lock	●		
Provision for a platform	○		
Two floating forks	●		
Inching-Control	●		
Four-wheel drive	●		
Four-wheel steering	●		
Three steering modes	●		
Standard tyres	405/70-24		
Optional tyres	405/70-20		
Stabilisers	Narrow		
Turret rotation	-		
Type approval as an agricultural tractor	-		
Approval with PNEUMATIC braking	-		
Approval with HYDRAULIC braking	-		
PTO	-		
3-point linkage	-		

- Not Available. ● standard. ○ optional.

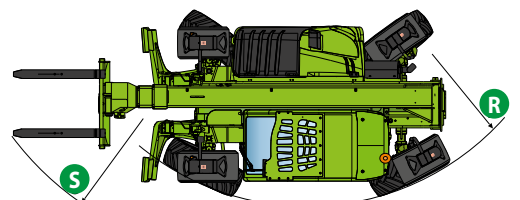
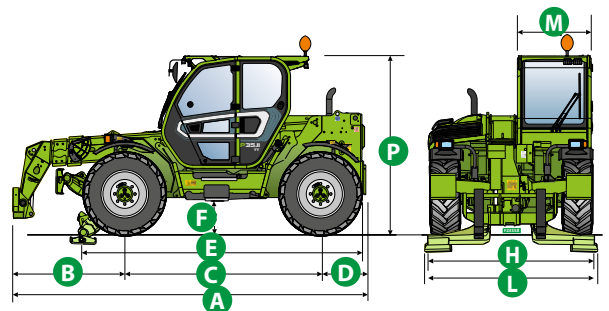
## LOAD CHARTS



P35.11EE4

## DIMENSIONS

	P35.11EE4		
A (inch)	202.8		
B (inch)	64.3		
C (inch)	110.6		
D (inch)	27.8		
E (inch)	161.6		
F (inch)	18.1		
H (inch)	90.9		
L (inch)	39.8		
M (inch)	99.6		
P (inch)	156.9		
R (inch)	204.7		
S (inch)	33.5		





**MERLO S.P.A.**

Via Nazionale, 9  
12010 S. Defendente di Cervasca  
(Cuneo) Italia

Tel. +39 0171 614111

Fax +39 0171 684101

[info@merlo.com](mailto:info@merlo.com)

[www.merlo.com](http://www.merlo.com)

**Your Merlo dealer**

DS\_P3511EE \_0721\_N.A.