



## PANORAMIC P72.10 PLUS



**MERLO**



## PERFORMANCE AND FEATURES

## P72.10 PLUS

### PERFORMANCE

Total unladen weight (lb)	24912
Maximum capacity (lb)	15900
Lifting height (ft)	30' 0"
Maximum reach (ft)	17' 1"
Maximum operating height (ft)	20' 8"
Maximum operating reach (ft)	5' 1"
Capacity at maximum height (lb)	9000
Capacity at maximum reach (lb)	4500
Lateral boom movement (inch)	± 9.8
Tilting correction (%)	± 8
Boom sections	2

### POWERTRAIN

Turbo motor	PERKINS 904J
Displacement/cylinders	3600/4
Engine Power (kW/HP)	85,9/115
Anti-pollution technology	TIER 4, SCR+DPF+DOC
Reversible fan	●
Maximum speed (mph)	25
Fuel tank (gal)	37
AdBlue tank (gal)	4.8
Hydrostatic transmission	● - 2V
EPD	●
Auto-revving joystick	●
Axles - Reducers	Drop portal - RR700
Machine brakes	Dry discs
Automatic parking brake	●

### HYDRAULIC

Hydraulic pump	LS
Flow rate/pressure (gal/min – psi)	27,5 - 3626
Hydraulic tank (gal)	26.4
Hydraulic outlet at the top of the boom	●
Rear hydraulic outlets	○

### CAB

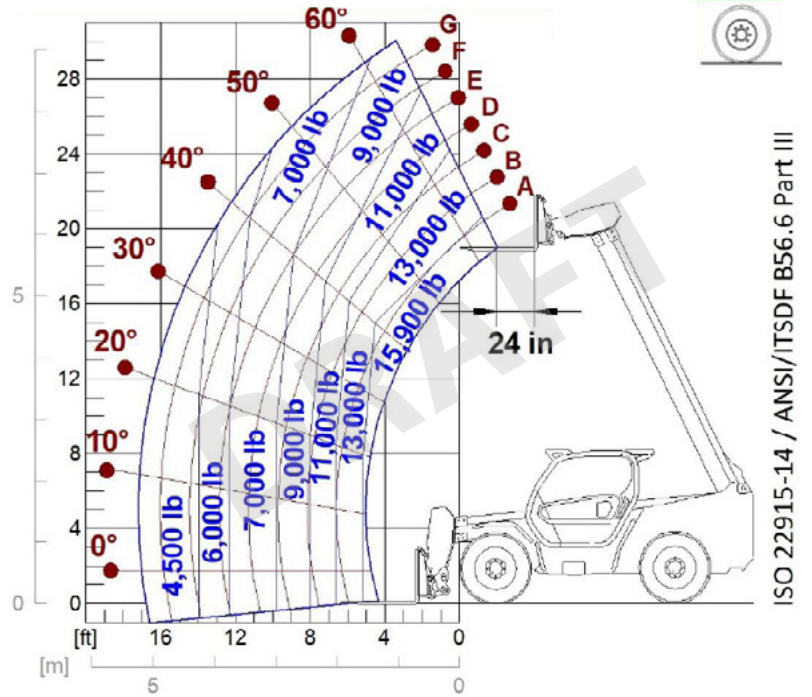
Cab configuration	ECO
ASCS Adaptive Stability Control System	Full
FOPS LIV II cab	●
ROPS cab	●
Cab commands	Electronic joystick control
Tilting Cab	-
Reverse shuttle	Dual reverse

### CONFIGURATION

Cab suspension	-
Boom suspension	-
Suspension on axles	-
Work headlights on cab	○
Sun blind	○
Tac-lock	●
Provision for a platform	○
Two floating forks	●
Inching-Control	●
Four-wheel drive	●
Four-wheel steering	●
Three steering modes	●
Standard tyres	400/70-24
Optional tyres	445/65 R22,5; 18R22,5
Stabilisers	-
Turret rotation	-
Type approval as an agricultural tractor	-
Approval with PNEUMATIC braking	-
Approval with HYDRAULIC braking	-
PTO	-
3-point linkage	-

- Not Available. ● standard. ○ optional.

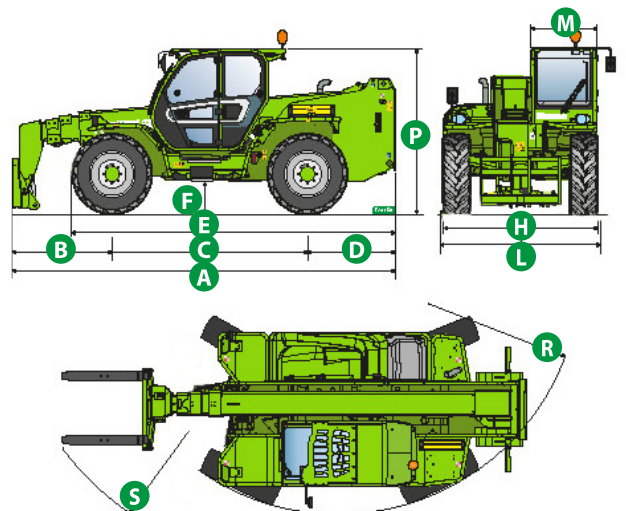
## LOAD CHARTS



### P72.10 PLUS

## DIMENSIONS

	P72.10 PLUS		
A (inch)	215.7		
B (inch)	49.4		
C (inch)	115.0		
D (inch)	51.3		
E (inch)	189.6		
F (inch)	17.7		
H (inch)	88.2		
L (inch)	39.8		
M (inch)	98.4		
P (inch)	156.3		
R (inch)	196.5		
S (inch)	33.5		





**MERLO S.P.A.**  
Via Nazionale, 9  
12010 S. Defendente di Cervasca  
(Cuneo) Italia  
Tel. +39 0171 614111  
Fax +39 0171 684101

**info@merlo.com**  
**www.merlo.com**

**Your Merlo dealer**

DS\_P7210PLUS \_0721\_N.A.